



By GMR, Inc,

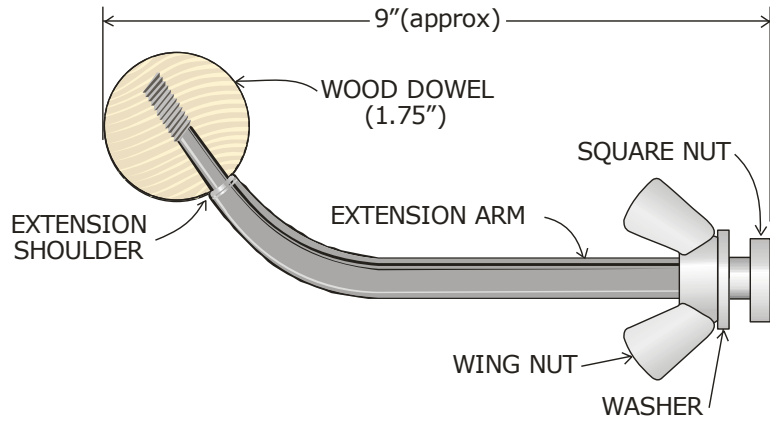
6729 MARBUT ROAD LITHONIA, GEORGIA 30058 800 241-9249 FAX: 770 484-5861 ATLANTA: 770 484-5902

BB923 Floor Mounted Ballet Barre with One Bar

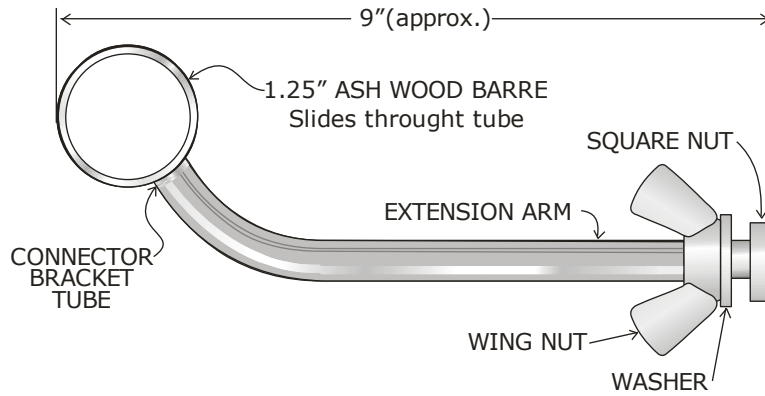
The Floor Mounted Ballet Barre with One Bar features one 1.75" diameter Ash Wood Bar and sturdy Chrome Plated steel uprights. Perfect for mounting in front of mirrors or windows.

- Barre is made of hand sanded, unfinished, Ash wood with a 1.75" diameter. Bar can be easily stained.
- Bar height adjustable from 31" to 45"
- Upright height: 44"
- Upright base plate: 5"x5" with three 1/2" diameter anchor holes. Two in the back and one in the front center of the base plate.
- 3/8" anchors and 3/8" flat washers not included.
- Recommended anchors: Zinc plated LDT (large diameter Tapcons) anchor bolts or Red Head type drop in anchors with phillips pan screws or button head socket screws for concrete or tile over concrete. Use zinc plated or chrome plated lag bolts or button head wood screws for wood floor installation.
- Distance from wall to inside of wood barre 11.25", when installed next to the floor board.
- Distance from wall to outside of wood barre 13", when installed next to the floor board.
- Available lengths 4', 6', 8', 10', 12', 14', 16' and continues in 8' increments
- The 10', 12', 14' and 16' barres are made up of two or three barres connecting with an adjustable barre connector bracket (BB910ABC).
- The end brackets are extension arms (BB904EA).

**BB904EA
BARRE EXTENSION ARM
SIDE VIEW**



**BB910ABC
BARRE CONNECTOR EXTENSION ARM
SIDE VIEW**



4', 6' & 8'



10', 12', 14' & 16'