



By GMR, Inc,

6729 MARBUT ROAD LITHONIA, GEORGIA 30058 800 241-9249 FAX: 770 484-5861 ATLANTA: 770 484-5902

BB600 Non-Adjustable Wall Mount Ballet Barre

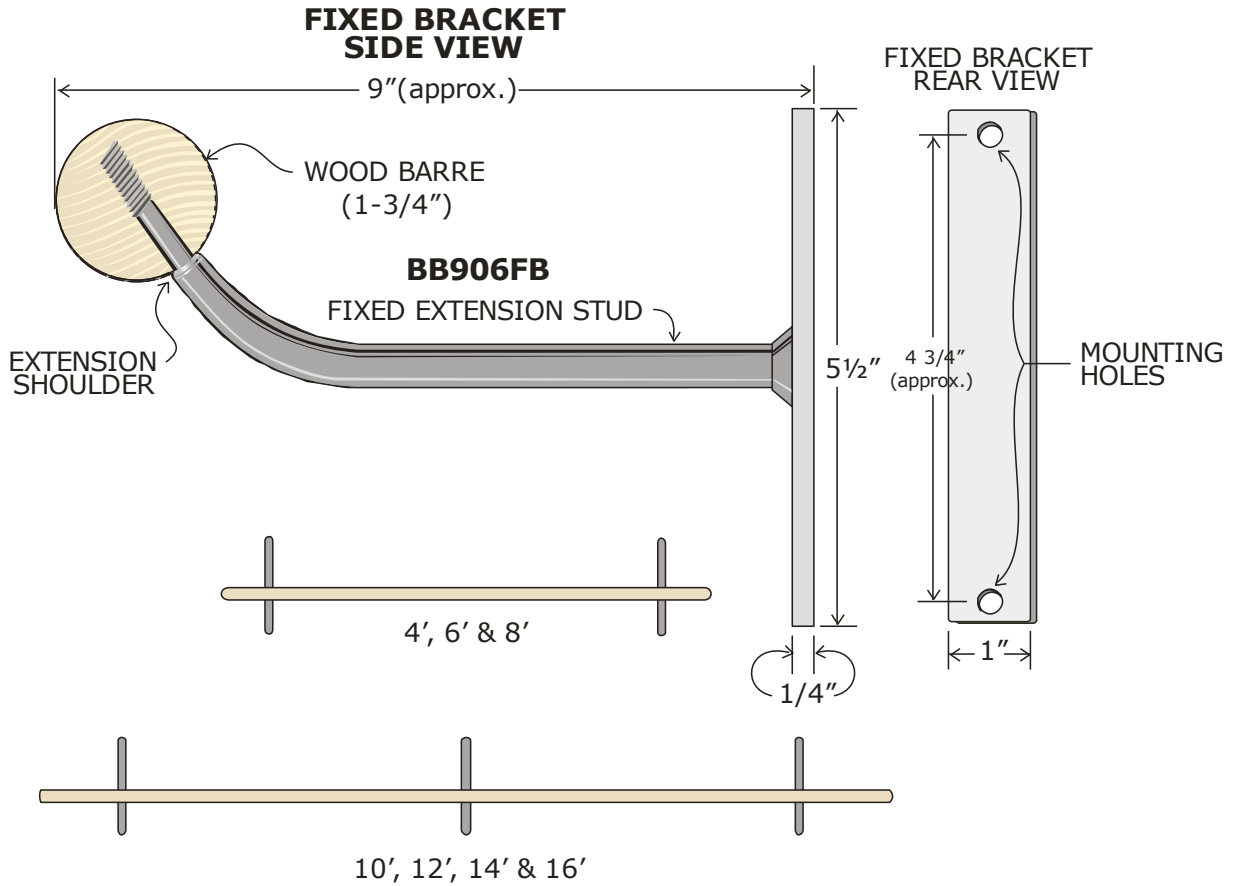
The Single Fixed Non-Adjustable Wall Mount Ballet Barre features one 1.75" diameter Ash Wood Bar and Chrome Plated Non-adjustable Wall Brackets. Perfect for any Dance Studio, Pilates Studio, Gymnastics Center or Home Studio.

- Barre is made of hand sanded, unfinished, Ash wood with a 1.75" diameter. Bar can be easily stained.
- Wall brackets are 1"W x 5.5"L & made of chrome-plated steel. Hole spacing is 4.75" apart.

Bracket Spacing

Length	Spacing between brackets	Overhang
4'	32"	8"
6'	48"	12"
8'	64"	16"
10'	2 @ 48"	12"
12'	2 @ 64"	8"
14'	2 @ 64"	20"
16'	2 @ 80"	16"

- Available lengths 4', 6', 8', 10', 12', 14', 16'
- 4', 6', 8' Barres include 2 wall brackets & 10', 12', 14', 16' Barres include 2 wall brackets and 1 barre connector bracket.



- The 10', 12', 14' and 16' barres are made up of two barres connecting in the middle with center connector bracket.
- Brackets are always separated by multiple of 16" to allow the mounting of every bracket directly into a wall stud.
- Quantity Discounts. Please use the quote request when purchasing 4 or more units for savings.
- Best price in the USA